



SVE Case Study

air suspension systems

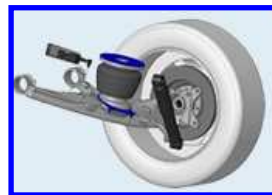
Air suspension systems are retrofitted to both heavy and light commercial vehicles, for a variety of reasons and applications, providing smoother ride conditions and more effective braking and vehicle handling.

Air assist systems

Air assist systems provide extra support for standard leaf or coil springs

Applications include:-

- vans and light commercial vehicles for passenger transport, disabled persons transport or for the transport of shock sensitive products such as glass.
- Motor homes, 4 x 4's and SUV's
- Up rates to increase load capacity

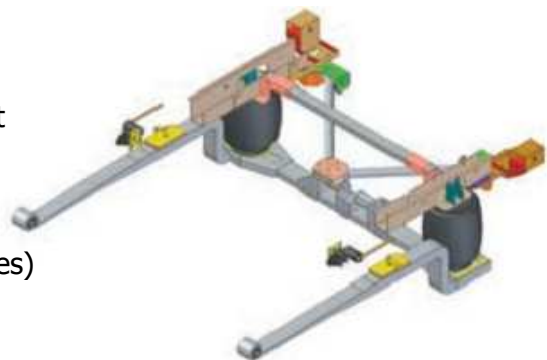


Full air systems

The OE suspension system of a commercial or leisure vehicle is removed and replaced with a 2 or 4 wheel air suspension system, air springs, mounting brackets and electronic height control system. All systems supplied and installed by Astra have been developed in conjunction with the OEM (vehicle manufacturer).

Key features

- Greatly improves vehicle suspension comfort
- Improved road handling
- Lowering facility for easy loading /unloading
- constant ride height
- kneeling & side levelling facility (motor homes)
- multiple ride height settings
- Up rates to increase load capacity



Astra is a leading UK supplier to the commercial vehicle sector and an accredited chassis converter, providing custom stainless steel exhaust systems and specialist vehicle engineering services. Astra are authorised installers of air suspension systems for the following manufacturers:-



Astra Vehicle Technologies Ltd

Innospec Manufacturing Park, Oil Sites Road, Ellesmere Port, Cheshire, CH65 4EY
Homepage : www.astra-vt.com

Phone : 0151 348 5777 Fax: 0151 348 5778 e-mail: sales@astra-vt.com



06/0274

120



Fax Back Enquiry Form

Faxback to: 0151 348 5778

Company Name
Address

Phone Number
Fax number

Contact

Postcode
Extension

Vehicle Make
G.V.W
G.C.W

Model

Suspension
Type e.g air/steel - parabolic / asymmetric / municipal

Cab Type
(sleeper/day/crew)

Wheelbase length
5th wheel position & height

Overhang

Flitched ? Yes / No

Requirements
Please describe
the modification
to be considered:-

Quantity

Vehicle Schedule

Please contact me to discuss our requirements:-
Please mail brochures on the AVT range of products to:-
Please delete my contact details from your database:-